

The Veritas® Fence Flip Stop can be secured at any point along a 1/4-20 T-slot track and flipped up out of the way when not needed. The stop can be set up to hang flush with the side of a track, or with a 3/4" offset when used with a sacrificial wooden sub-fence.

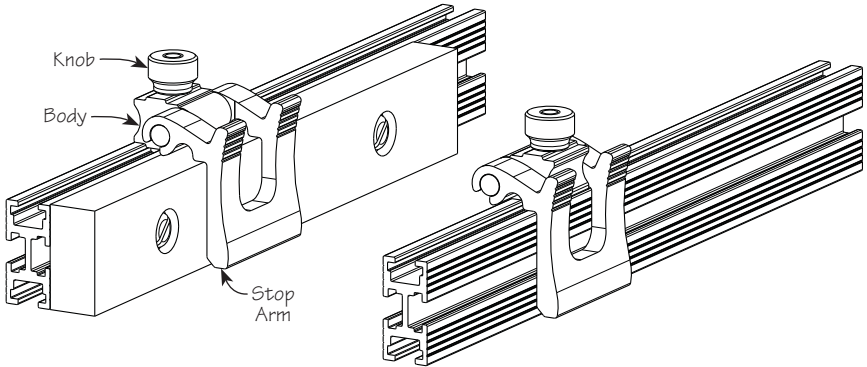


Figure 1: Flip stop used with and without sub-fence.

As assembled, the flip stop will accommodate a 3/4" thick wooden sub-fence. To convert for use without the sub-fence, swap the position of the knob and T-bolt, as shown in **Figure 2**. You can do this by removing the knob and T-bolt, flipping the body 180° (so the concave edge of the body lines up with the stop arm), and reinstalling the knob and T-bolt so that knob is on top.

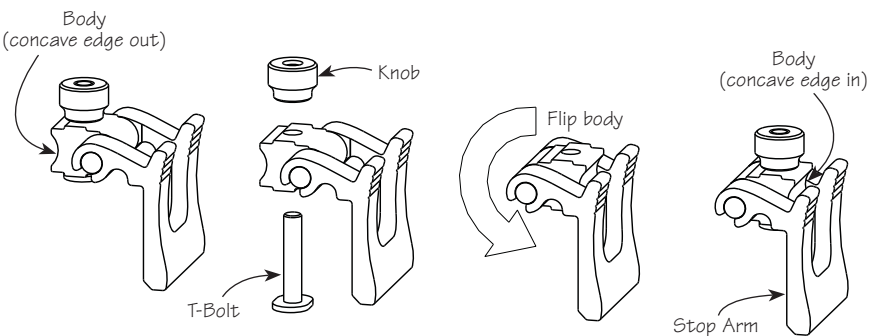


Figure 2: Flip stop conversion.

Veritas® Tools Inc.

814 Proctor Avenue 1090 Morrison Drive
Ogdensburg NY 13669-2205 Ottawa ON K2H 1C2
United States Canada

customerservice@veritastools.com

www.veritastools.com